


DRG. No.  
PCG/ATX/CRO

DO NOT SCALE OFF DRAWING "IF IN DOUBT ASK".  
REPORT ALL ERRORS AND ALTERATIONS.

THIRD ANGLE PROJECTION

**MARKING**

1. EXAMPLE OF MARKING ON BAND:-

PEPPERS GU15 3BT UK  II 1D II 2G  
CR-0B 20S M20 BAS 01ATEX2271X  
Exeb IIC Gb / Ex ta IIIC Da  
IECEX SIR 07.0099X IP66

2. SPECIAL MARKS:-

Marking and other information may be present on the gland or packaging in accordance with document PCG/ATX/PEXMP.

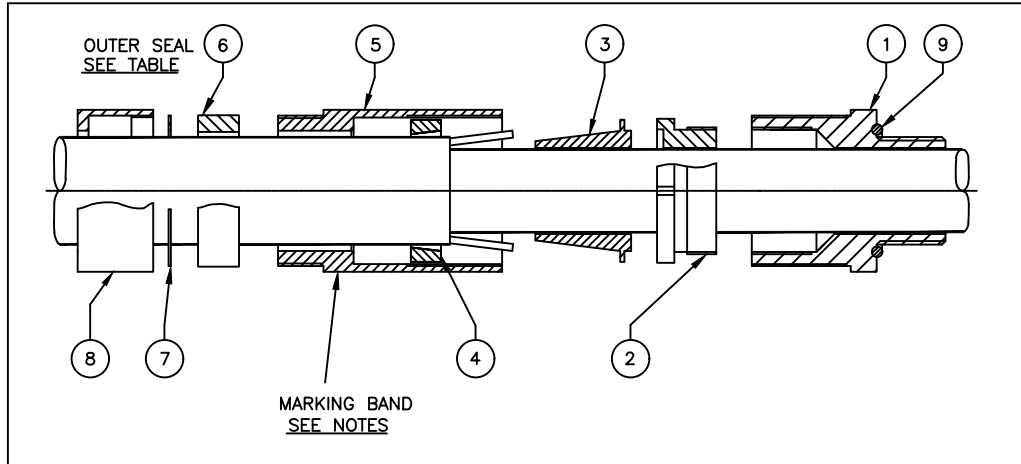
DRAWN ASC  
DATE 27/04/09  
CHECKED  
APPROVED  
CAD REF PCGATXCRO  
SCALE N.T.S.

ISSUE  
1. Original

2. Marking updated to comply with latest 60079 Series & to include ExtD marking.

3. 23/08/12  
Marking updated. H sizes added. Options and notes clarified. Now 2 page drawing.

4. 28/02/2017  
Size 16 & 20S Min outer sealing range corrected. Marking updated. Standard Entry Thread column added. Note i added.



**PARTS LIST & CERTIFICATE CROSS-REFERENCE**

Balloon Ref	Part Description	Drawing Number	Alternate Drawing Number	Other Certificate Nos. used on	Other Certificate Nos. used on
1	ENTRY BODY	PCG/ATX/1V	PCG/ATX/1VT	---	---
2	COMPRESSION NUT	PCG/ATX/8V	---	---	---
3	CONE	PCG/ATX/3V	---	---	---
4	CLAMP RING	PCG/ATX/10V	---	SIRA 03ATEX1479X	---
5	MIDDLE CAP	PCG/ATX/5V	---	SIRA 03ATEX1479X	---
6	OUTER SEAL	PCG/ATX/2M	---	SIRA 01ATEX1271X	SIRA 03ATEX1479X
7	OUTER SKID WASHER	PCG/ATX/11M	---	SIRA 01ATEX1271X	SIRA 03ATEX1479X
8	OUTER CAP	PCG/ATX/6M	---	SIRA 01ATEX1271X	SIRA 03ATEX1479X
9	O-RING SEAL	PCG/ETOR	---	---	---

**GLAND TYPE NUMBERING**

CRO xxx xxx xxxx = Gland Type and Part Number code  
Thread type & size  
Gland size

R = Reduced bore option

— Metal parts material code (See table)

— Seal Code (See Table)

Gland featuring "CROCLOCK®", single orientation clamping. Outer cable sheath seal only.

X-REFS:-

CSCRO  
TABCRO  
ISS1ORIG  
CAO



**PEPPERS CABLE GLANDS LIMITED**

STANHOPE ROAD, CAMBERLEY, SURREY, UK.  
TEL +44 (0)1276 64232, FAX +44 (0)1276 691752

TITLE ATEX RANGE GLANDS  
FOR ARMoured CABLE  
CR-0\*\*\* FAMILY

SHEET 1 OF 2

The design and manufacturing information contained in this drawing is the exclusive right of PEPPERS CABLE GLANDS LTD and must not be copied or used for manufacturing purposes without express authority in writing from the said company.

DRG. No.  
PCG/ATX/CRO

ISSUE 4

THIS DRAWING IS OF A CERTIFIED COMPONENT, AND NO CHANGES MUST BE MADE WITHOUT REFERENCE TO THE CERTIFYING AUTHORITY.

DRG. No.  
PCG/ATX/CRO

DO NOT SCALE OFF DRAWING "IF IN DOUBT ASK".  
REPORT ALL ERRORS AND ALTERATIONS.

THIRD ANGLE PROJECTION

DRAWN ASC  
DATE 27/04/09  
CHECKED  
APPROVED  
CAD REF PCGATXCRO  
SCALE N.T.S  
ISSUE  
1. Original  
2. Marking updated to comply with latest 60079 Series & to include ExtD marking.  
3. 23/08/12 Marking updated. H sizes added. Options and notes clarified. Now 2 page drawing.  
4. 28/02/2017 Size 16 & 20S Min outer sealing range corrected. Marking updated. Standard Entry Thread column added. Note i added.

## OPTIONS & GLAND TYPE NUMBERING

### SEAL CODES (TYPE AND TEMPERATURE) (a)

CODE	INNER SEAL	OUTER SEAL	OPERATING TEMP. RANGE
1	-	2MO	-35°C to +90°C
3	-	2MOS or 2MOZS	-60°C to +180°C

### METAL PARTS MATERIAL CODES

CODE	MEANING
B	MAIN GLAND COMPONENTS ARE BRASS
S	MAIN GLAND COMPONENTS ARE STAINLESS STEEL

### REDUCED BORE OPTION

R	2MO/2MOS SEAL IS REPLACED WITH 2MOZS SEAL
---	---

### NOTES

- a Neoprene seals are colour black (part 2MO). Silicone seals are colour white (part 2MOS). Reduced bore seals are silicone & colour red (part 2MOZS).
- b Hybrid (H) sizes use 5V, 2MO, 11MO and 6M components from next size gland above. Hybrid sizes may also use 2MOZS seal from size below.
- c Size 16 glands are assembled from Size 20S parts except the 2MO seals. The 82N & 91A parts are replaced with 82V & 91V parts respectively.
- d Nitrile O-rings part OR are used with code 1 glands. Silicone O-rings part OR are used with code 3 glands.
- e Size 110 glands use parts from 1VOS, 2MOS, 6MOS and 11MOS drawings respectively.
- f Size 50S, 63s and 75s use size 50, 63 and 75 3V and 8V components.
- g Stainless Steel glands may have marking electrochemically etched.
- h Plating may be applied to any or all main gland body components. Maximum thickness of plating is 0.008mm.
- Special uses for this gland:-**  
Provided the cable is rigidly restrained close to the entry,  
(1) Braid or screen may be clamped in the armour clamp  
(2) Braid/screen/armour may be passed through the gland for clamping inside the terminating equipment
- i For alternative threads and trade sizes refer to drawing PCG/ETDMV

GLAND SIZE	Standard Entry Threads		ARMOUR DIA/THICKNESS STEEL WIRE & TAPE (Universal) or BRAID/SCREEN	INNER SHEATH		OUTER SHEATH		REDUCED BORE	
	Metric	NPT		MAX	MIN	MAX	MIN	MAX	
16 (c)	M20	1 1/2" NPT	0.15 - 1.25	11.7	8.4	13.5	6.7	10.3	
20S	M20	1 1/2" NPT	0.15 - 1.25	11.7	11.5	16.0	9.4	12.5	
20	M20	1 1/2" NPT	0.15 - 1.25	14.0	15.5	21.1	12.0	17.6	
25	M25	3/4" NPT	0.15 - 1.6	20.0	20.3	27.4	16.8	23.9	
32	M32	1" NPT	0.15 - 2.0	26.3	26.7	34.0	23.2	30.5	
40	M40	1 1/4" NPT	0.2 - 2.0	32.2	33.0	40.6	28.6	36.2	
50S	M50	1 1/2" NPT	0.2 - 2.5	38.2	39.4	46.7	34.8	42.4	
50H	M50	1 1/2" NPT	0.3 - 2.5	44.1	39.4	46.7	34.8	42.4	
50	M50	2" NPT	0.3 - 2.5	44.1	45.7	53.2	41.1	48.5	
63S	M63	2" NPT	0.3 - 2.5	50.1	52.1	59.5	47.5	54.8	
63H	M63	2" NPT	0.3 - 2.5	56.0	52.1	59.5	47.5	54.8	
63	M63	2 1/2" NPT	0.3 - 2.5	56.0	58.4	65.8	53.8	61.2	
75S	M75	2 1/2" NPT	0.3 - 2.5	62.0	64.8	72.2	60.2	68.0	
75H	M75	2 1/2" NPT	0.3 - 2.5	68.0	64.8	72.2	60.2	68.0	
75	M75	3" NPT	0.3 - 2.5	68.0	71.1	78.0	66.5	73.4	
80	M80	3" NPT	0.45 - 3.15	72.0	77.0	84.0	71.9	79.4	
80H	M80	3" NPT	0.45 - 3.15	78.0	79.6	90.0	75.0	85.4	
85	M85	3" NPT	0.45 - 3.15	78.0	79.6	90.0	75.0	85.4	
90	M90	3 1/2" NPT	0.45 - 3.15	84.0	88.0	96.0	82.0	91.4	
90H	M90	3 1/2" NPT	0.45 - 3.15	90.0	88.0	96.0	82.0	91.4	
100	M100	3 1/2" NPT	0.45 - 3.15	90.0	92.0	102.0	87.4	97.4	
110 (e)	M110	4" NPT	0.45 - 3.15	102.0	104.0	117.0	---	---	

X-REFS: -



PEPPERS CABLE GLANDS LIMITED  
STANHOPE ROAD, CAMBERLEY, SURREY, UK.  
TEL +44 (0)1276 64232, FAX +44 (0)1276 691752

TITLE  
ATEX RANGE GLANDS  
FOR ARMoured CABLE  
CR-0\*\*\* FAMILY

SHEET 2 OF 2

The design and manufacturing information contained in this drawing is the exclusive right of PEPPERS CABLE GLANDS LTD and must not be copied or used for manufacturing purposes without express authority in writing from the said company.

DRG. No.  
PCG/ATX/CRO  
ISSUE 4